



Optional Skewer (Satay) Rack, Shelves and Sauce Pan Racks shown.

Job Name	
Model	WS-SFB-5426
Item#	

The 26" deep Mt. St. Helens Charbroiler features a "heat-sink" style firebox cast from our dense, durable high-temperature ceramic. The firebox is designed to store and radiate heat evenly. The grill is comprised of eight 6" x 16" sliding cast iron grates which rest on our unique warp-resistant, stainless steel frame system. The entire grill frame slides toward the front or back of the unit to facilitate easy fire access. A blazing fire along the rear of the firebox will produce coals, which when pulled forward, will keep the entire firebox saturated with heat. An experienced solid fuel grill operator will be impressed by the even heat delivery and fuel-saving design of the Mt. St. Helens. The insulated firebox is mounted on top of a stainless steel wood storage cabinet. The unit comes standard on four heavy-duty, swiveling casters (front two with locking brakes). A Particle Shovel, T-Style Brass-Bristled Brush and Grate Tool are included with the charbroiler.

The unit arrives completely assembled, ETL Listed, ready to install and is made in the USA. Information about tools and accessories can be found online at: woodstone-corp.com.

FEATURES

- Durable Ceramic Firebox Construction
- Reduced Fuel Consumption
- Countertop Option Available
- Solid Fuel
- Optional Broiler Shelf and Skewer (Satay) Rack Available to Increase Versatility
- Optional Shelves and Sauce Pan Racks Available
- Optional Searing Plate Available



Optional Broiler Shelf, Skewer (Satay) Rack, Shelves and Sauce Pan Racks shown.



t. 360.650.1111
tf. 800.988.8103
f. 360.650.1166

Wood Stone Corporation
1801 W. Bakerview Rd.
Bellingham, WA 98226 USA
info@woodstone-corp.com
woodstone-corp.com

REVISED: SPRING 2017

An ongoing program of product improvement may require us to change specifications without notice.





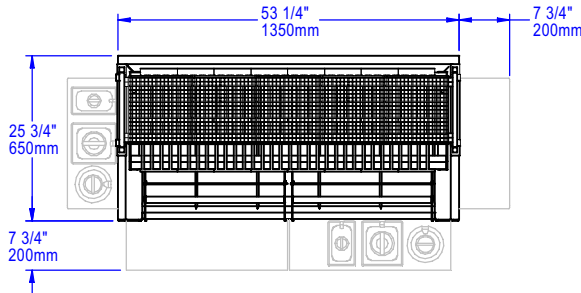
MT. ST. HELENS

SOLID FUEL CHARBROILER • 26 SERIES • WS-SFB-5426

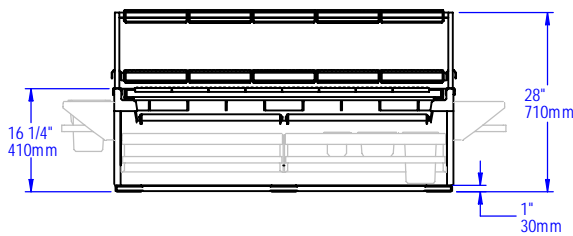
Note: Drawings shown with optional Broiler Shelf, Skewer (Satay) Rack, Shelves and Sauce Pan Racks.

Shelves and Sauce Pan Racks that mount on the sides of the unit are a standard size for ALL models (20.75" x 8"). Front Shelf and Sauce Pan Racks sizes vary depending on model.

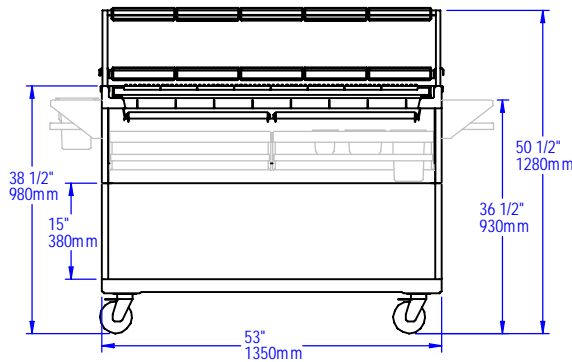
PLAN VIEW



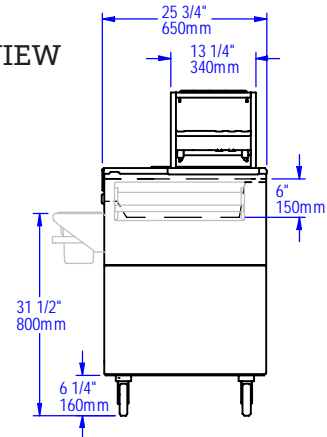
FRONT VIEW • COUNTERTOP MODEL (-CT)



FRONT VIEW



SIDE VIEW



UTILITIES SPECIFICATIONS

GAS
N/A

ELECTRICAL
N/A

VENTING INFORMATION

The WS-SFB-5426 must be vented using a Listed Type 1 exhaust hood, or one constructed in accordance with NFPA 96 and all relevant local and national codes. The charbroiler must be vented as a solid fuel appliance, in accordance with all relevant local and national codes, and in a manner acceptable to the authority having jurisdiction.

Ship Weight: 1,100 lbs / 500 kg



t. 360.650.1111
tf. 800.988.8103
f. 360.650.1166

Wood Stone Corporation
1801 W. Bakerview Rd.
Bellingham, WA 98226 USA
info@woodstone-corp.com
woodstone-corp.com

REVISED: SPRING 2017

An ongoing program of product improvement may require us to change specifications without notice.

