



Left-Hand drive configuration with six spits and optional Charbroiler shown.

### FEATURES

- High Production
- Durable Construction
- Rear Load and Unload
- 6 or 10 Spit Options (6 Spit Shown)
- Standard or Narrow Widths Available
- Custom Accessories
- Unique Flavor Profiles

### GUIDE TO MODEL NUMBERS

	Solid Fuel Rotisserie	Narrow Width	Includes Charbroiler	Left-Hand Drive	Right-Hand Drive
WS-SFR-6-BROILER	X		X	-L	-R
WS-SFR-6N-BROILER	X	X	X	-L	-R

Job Name	
Model	WS-SFR-(6, 10)-BROILER
Item#	

The body of the Mt. Olympus Rotisserie is constructed of 16-gauge polished stainless steel. It comes with a durable, high-temperature ceramic firebox and when ordered with the optional extended firebox Charbroiler includes seven 6 x 24-inch cast iron grates (five grates for narrow models). The rotisserie is powered by 1/4 HP, variable speed, DC motor with soft start and stop, matched with a robust two-stage gearbox.

The 6 spit unit is standard. Each spit is 44 inches long (32 inches long for narrow models), giving the rotisserie a capacity of 36–42 chickens (18–24 for narrow models). The optional 10 spit model, with all 10 spits in place, is suitable only for chicken and has a capacity of 60–70 birds. The controller and motor can be located on either side of the unit—this must be specified at the time of order. The Mt. Olympus is easily serviced via an access panel located on the controller side of the unit. A 6.5-cubic foot stainless steel Wood Handling Cart is provided with each rotisserie for easy wood storage below. Additionally, a grease receptacle, Particle Shovel, Grate Tool and T-Style Brass-Bristled Brush is also included.

The unit is ETL Listed and is made in the USA. Information about additional tools and accessories can be found online at: [woodstone-corp.com](http://woodstone-corp.com).



WS-SFR-6-BROILER



WS-SFR-6N-BROILER



t. 360.650.1111  
tf. 800.988.8103  
f. 360.650.1166

Wood Stone Corporation  
1801 W. Bakerview Rd.  
Bellingham, WA 98226 USA  
[info@woodstone-corp.com](mailto:info@woodstone-corp.com)  
[woodstone-corp.com](http://woodstone-corp.com)

REVISED: SPRING 2017

An ongoing program of product improvement may require us to change specifications without notice.



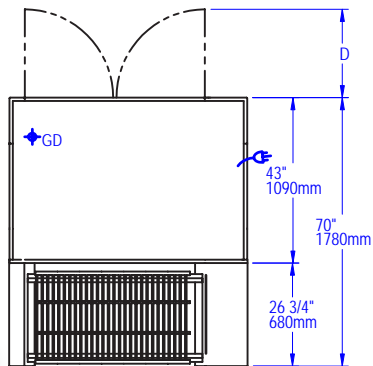
# MT. OLYMPUS SOLID FUEL ROTISSERIE WITH OPTIONAL CHARBROILER • WS-SFR-#-BROILER

Note: The drive side is determined from the rear of the unit and can be installed on either side of the unit. The right-hand drive model mirrors the left-hand drive model (shown below) exactly. Drive side must be specified at the time of order.

This unit is on casters. Service access is from the side panels—both sides must be accessible for service.

\*Drawings are of a 6 spit model with a left-hand drive.

PLAN VIEW\*

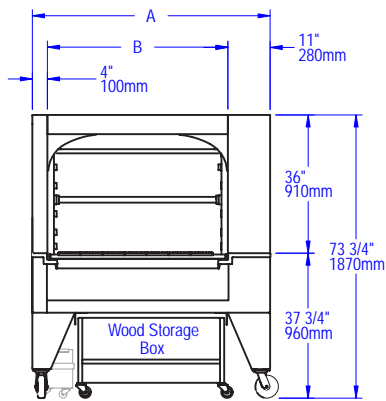


GUIDE TO MODEL NUMBERS

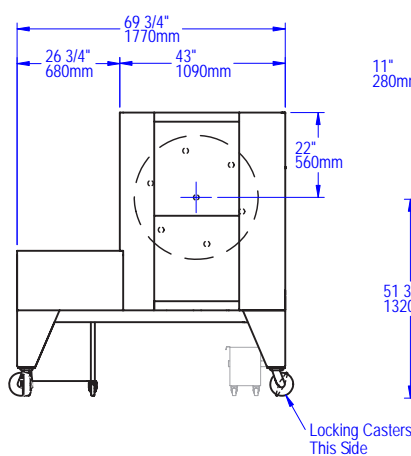
MODEL	Units	A	B	C	D	E	F	Ship Weight
WS-SFR-6-BROILER	inches	62	47	47	23	69.75	26.75	2,900 lb
	mm	1575	1194	1194	584	1772	679	1,315 kg
WS-SFR-6N-BROILER	inches	50	35	35	17	69.75	26.75	2,900 lb
	mm	1270	889	889	432	1772	679	1,315 kg

H	Control Panel
GD	Grease Drain
	Cord with NEMA 5-15 Plug

FRONT VIEW

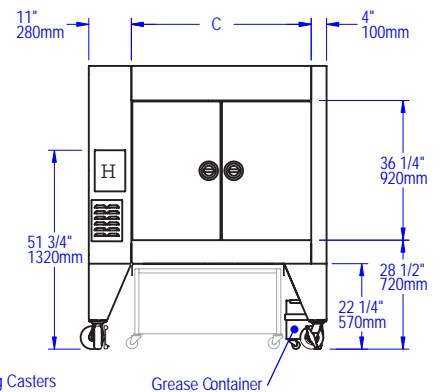


SIDE VIEW



REAR VIEW (DRIVE SIDE)

Left-hand drive configuration shown.



UTILITIES SPECIFICATIONS

GAS	ELECTRICAL
N/A	120 VAC, 2.5 A, 60 Hz
	NEMA 5-15 plug. Unit plugs into a standard 120 VAC, 15 A outlet.

VENTING INFORMATION

The WS-SFR-# must be vented using a Listed Type 1 exhaust hood, or one constructed in accordance with NFPA 96 and all relevant local and national codes. The rotisserie must be vented as a solid fuel appliance, in accordance with all relevant local and national codes, and in a manner acceptable to the authority having jurisdiction.

**Ship Weight: See table above**



t. 360.650.1111  
tf. 800.988.8103  
f. 360.650.1166

Wood Stone Corporation  
1801 W. Bakerview Rd.  
Bellingham, WA 98226 USA  
info@woodstone-corp.com  
woodstone-corp.com

REVISED: SPRING 2017

An ongoing program of product improvement may require us to change specifications without notice.

