



Fire Deck
Debris Mantle

DEBRIS MANTLE



Mountain Series
Debris Mantle



Removable
Trays

*Catch crumbs!
Wrangle waste!*

Wood Stone's new patent-pending **Debris Mantle** is designed for easy crumb and debris collection. Keep your burners clear by collecting debris in conveniently removable trays. Slide the trays out for easy emptying and wash them in any standard commercial dishwasher. To learn more, call

800.988.8103

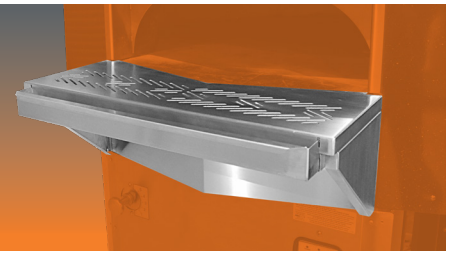
**Currently available for Fire Deck and Mountain Series ovens.*

Wood Stone

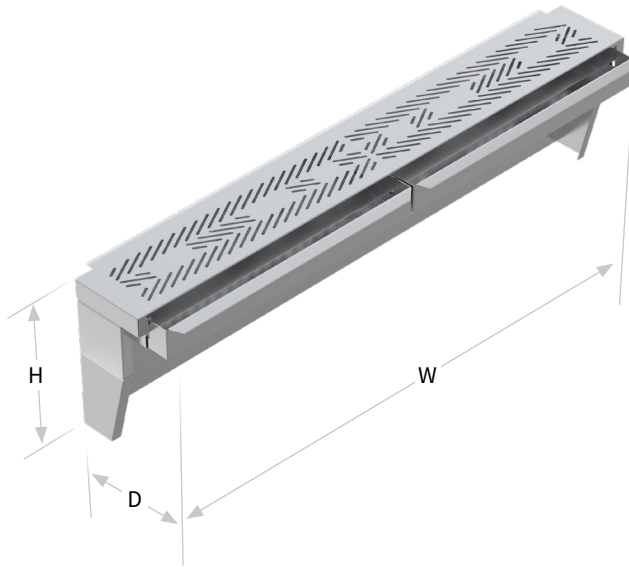
800.988.8103 360.650.1111 woodstone-corp.com



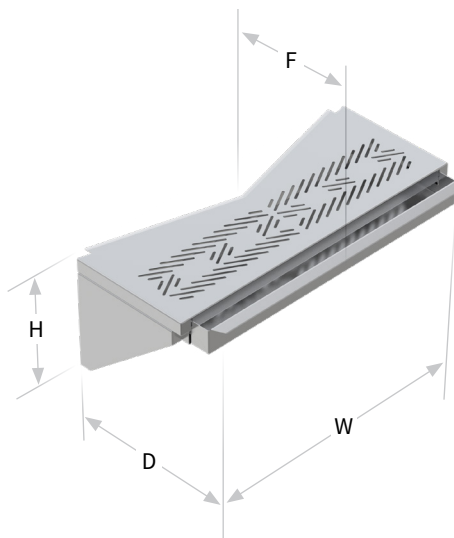
DEBRIS MANTLE



Wood Stone's Debris Mantle helps you maintain a clean cooking surface by offering a convenient receptacle to collect excess buildup on the floor. With a quick sweep using your Wood Stone brush, you can now keep the debris to a minimum and your radiant burners clear.



Debris Mantle Dimensions			
Fire Deck Series	H	W	D
WS-FD-6045	14.75"	37.5"	7.5"
WS-FD-8645		59.75"	
WS-FD-9660	14.75"	57.75"	
WS-FD-11260			
WS-FD-9690	15.25"	62.25"	
WS-FD-11275			
WS-FD-11290			



Debris Mantle Dimensions				
Mountain Series	H	W	F	D
Mt. Chuckanut 4'	11"	28"	9"	9"
Mt. Adams 5'	11"	32"	8"	12.5"
Mt. Baker 6'	11"	38"	8"	13"
Mt. Rainier 7'	11"	44"	8"	14"



800.988.8103 360.650.1111 woodstone-corp.com

