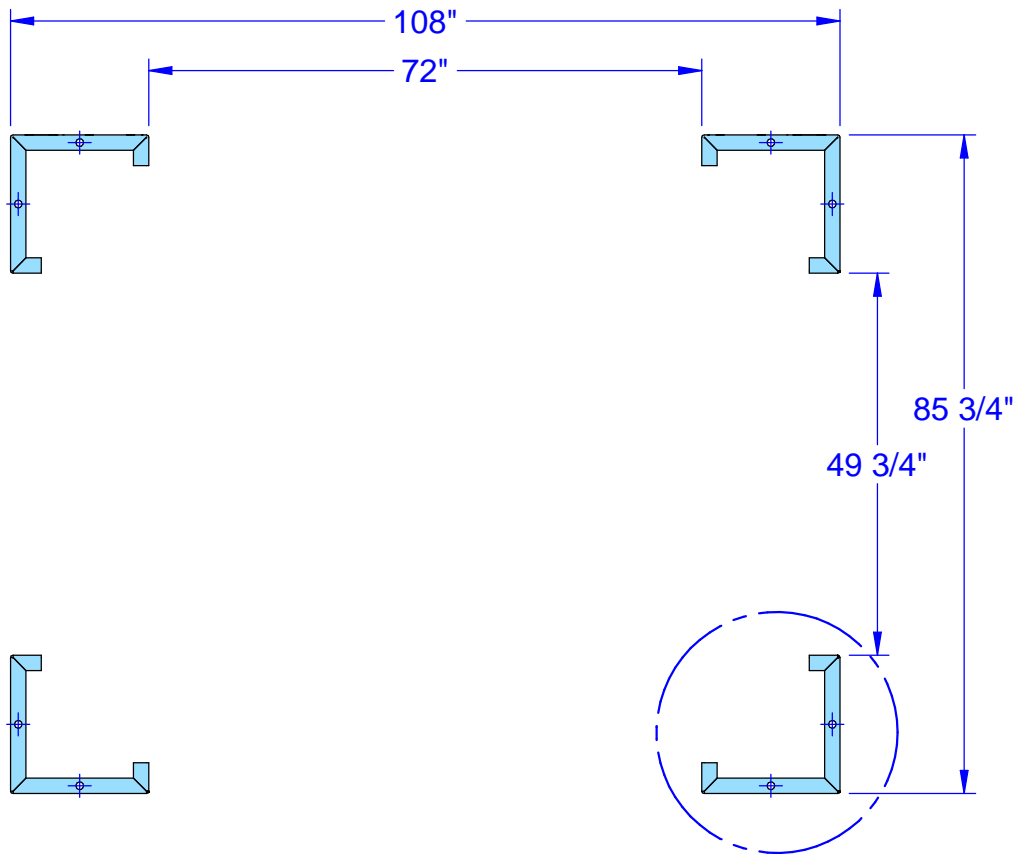


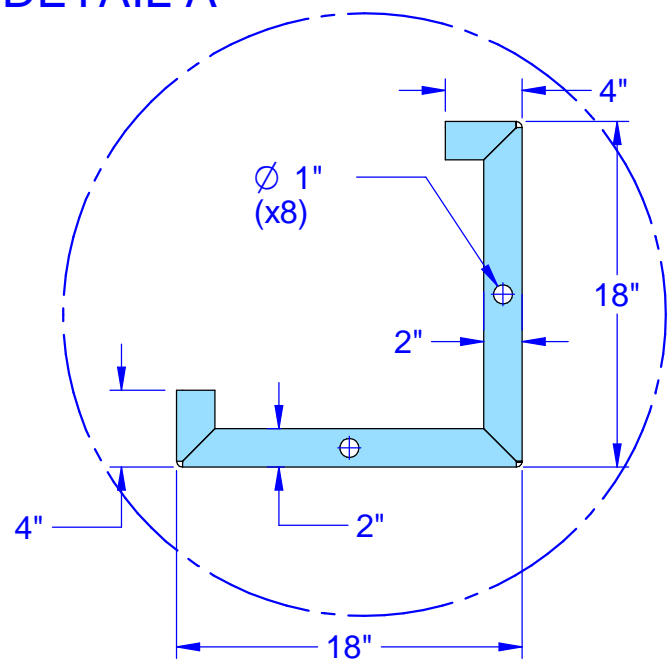
**Caution: Protect floor when using transport casters.**

Contact Area of Oven Stand	297.00	in <sup>2</sup>
	2.06	ft <sup>2</sup>
Oven Weight	11,500	lb
PSF Floor Loading of Oven Stand	5,576	lb/ft <sup>2</sup>
PSI Floor Loading of Oven Stand	38.72	lb/in <sup>2</sup>



Oven's Contact Area with Floor A

**DETAIL A**



DIMENSIONS ARE IN INCHES  
 LINEAR TOLERANCES ±1/4"  
 UNLESS NOTED OTHERWISE

THE INFORMATION CONTAINED IN THIS DRAWING IS THE SOLE PROPERTY OF WOOD STONE CORPORATION  
 ANY REPRODUCTION OR USE IN PART OR AS A WHOLE WITHOUT THE WRITTEN PERMISSION OF WOOD STONE IS PROHIBITED

SHEET: 1 of 1

DWN BY: charleyh

REV: 1

**Wood Stone**  
 Bellingham, WA 98226 (360) 650-1111 www.woodstone-corp.com

**WS-FD-11290 - Fire Deck Stone Hearth Oven**  
**Foot Print**

PART #: 001-5011290-FP

DATE: 10/24/2016