

⚠ WARNING Minimum Required Forklift Capacities	
5' FORKS MINIMUM	
Model	Lifting from Front, Rear or Sides
FD-6045	6,000 lbs

USING A FORKLIFT

The Wood Stone Fire Deck 6045 weighs approximately 3,200 lbs. and is top-heavy.

Use a forklift with adequate fork lengths and lifting capacity. When using a forklift, always use the forklift pockets. Lifting the oven any other way with a forklift may result in damage. Use extreme caution and make sure that the forks extend all the way through the pockets provided. Fork length must be at least 5' long. If it is necessary to approach the oven from the front, be sure the mast does not contact the mantle (shelf).

There are fork pockets at the front and sides of the oven.

Once the oven is on a **smooth, flat** floor it can be rolled on its optional heavy-duty, temporary shipping Casters (details next page).

USING A PALLET JACK

The oven may also be moved with a Pallet Jack using the front or rear fork pockets only. Once the oven is on a **smooth, flat** floor it can be rolled to its final position. **DO NOT ATTEMPT TO MANUALLY ROLL THE OVEN UP OR DOWN A RAMP OR INCLINE.** Do not position yourself between the moving oven and an immovable object or surface such as a wall or door frame.

DO NOT TURN THE OVEN ON ITS SIDE!

Moving a Wood Stone oven can present interesting challenges to even the most experienced riggers. Make sure to secure the proper equipment and make safety your first priority. Please don't hesitate to call the factory for technical support.

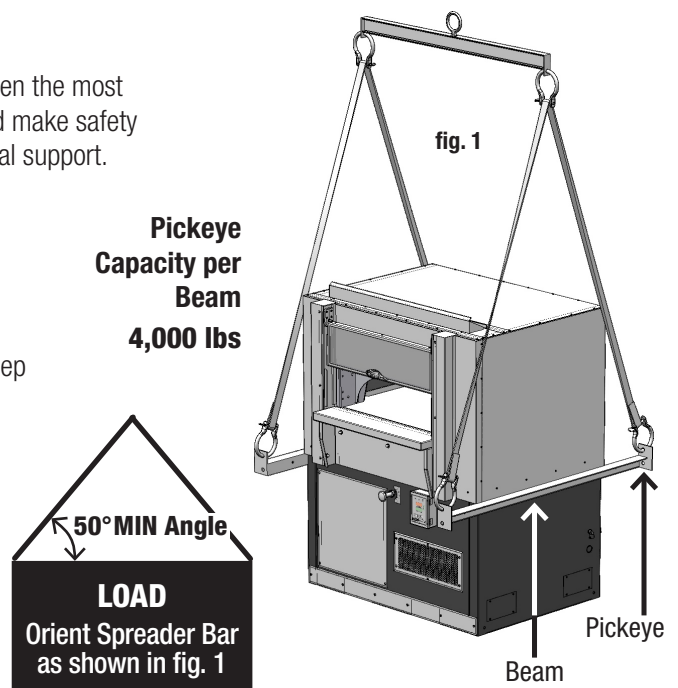
USING A CRANE

If you are planning to use a crane to unload the oven, specify a flatbed truck delivery.

Use the pickeys provided on the sides of the oven to lift the oven with a crane. The spreader bar should be of a sufficient length to keep the sling from contacting the oven, and oriented as shown in fig. 1.

DELIVERY NOTE

The customer will receive an Oven Shipping Notification when the oven leaves the Wood Stone factory. This will include a PRO# and a trucking company contact number. Wood Stone recommends that you confirm the delivery date/time with the trucking company before committing to heavy equipment and/or labor. Our goal is a smooth and safe delivery.





INSTRUCTIONS FOR INSTALLING AND REMOVING OPTIONAL OVEN CASTERS

The Fire Deck 6045 weighs approximately 3,200 lbs.

Do not attempt to move the oven over any type of grade or sloped surface when using the Casters or Pallet Jack.

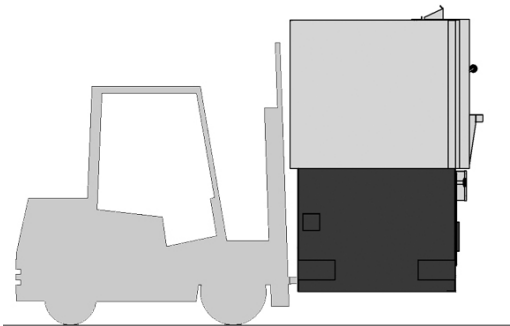
WARNING: Failure to follow these instructions may result in severe injury or death.

If you have any questions call Wood Stone at 800.988.8103.

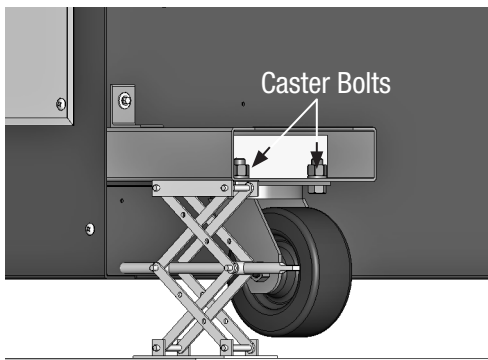
NOTE: The casters will add 3" to the total height of the oven, for a total of 81-1/4".

The 3-3/4" Vent Shield on top can be removed temporarily if necessary.

Shipping Casters are for moving the oven only. **THEY MUST BE REMOVED ONCE THE OVEN IS IN PLACE.**



- 1 Use a forklift (or pallet jack) to raise the oven using the front or rear forklift pockets.

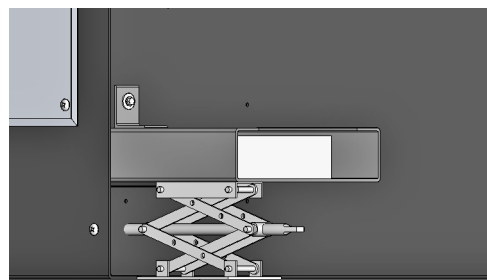


- 3 Once at final destination, use two scissor jacks (or pallet jack) to lift the one side of the oven by placing one jack under each caster assembly.
 - Raise the oven just high enough so the wheels clear the floor.
 - Unbolt each Caster and remove it.

Note: Casters are for moving oven only. They must be removed once the oven is in place.



- 2 Insert a Caster Assembly into each of the side fork pockets and secure it to the oven with a Self-Drilling Screw and washer.
 - Install the screw through the Mounting Tab.
 - Once the Caster Assemblies are installed, lower the oven.
 - It may then be rolled over a **smooth flat** surface to its final destination.



- 4 Lower the oven back to the ground.
 - Remove the Self-Drilling Screw and slide the rest of the Caster Assembly out of the fork pocket.
 - Install Fork Pocket Covers
 - Repeat steps 3 and 4 for the other side of the oven.
 - This oven is designed to be sealed to the floor upon installation using a silicone sealant acceptable to the local health official. See the Placing & Installation section of this manual for additional instructions.



PLACING THE OVEN

The oven must be installed on a flat level surface. The weight of the oven is carried by the full perimeter of the oven stand. If it is necessary to shim the oven for leveling purposes, it is critical that the shim material be metal, and that the shims are installed in such a way that the full perimeter of the stand is solidly supported. Any gaps created by shimming between the oven and the floor must be sealed (using a silicone sealant acceptable to the local health official) to prevent airflow issues beneath the oven. **Failure to solidly support the full perimeter of the oven stand can result in costly damage to the oven and will void the warranty.** The floor design and construction must be adequate to handle the weight of the oven.

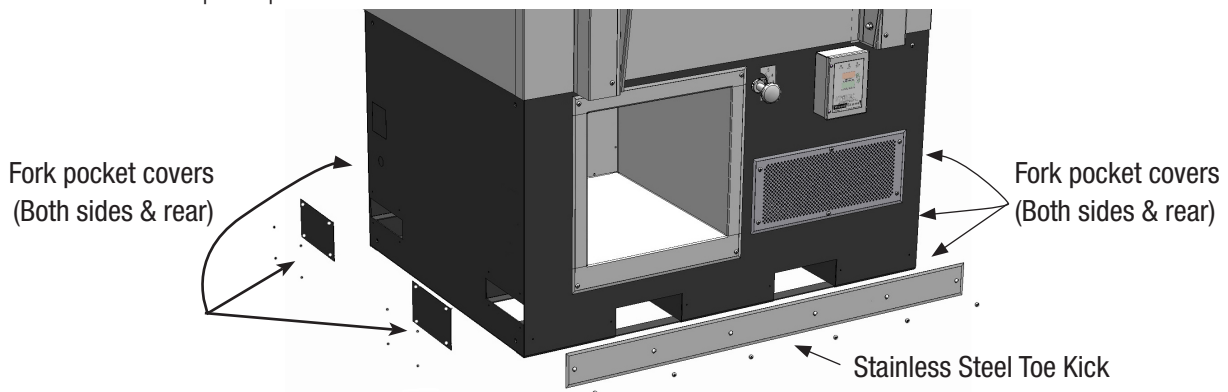
See woodstone-corp.com for floor loading information.

TOE KICK AND FORK POCKET COVERS

Once the oven is in place, the Toe Kick must be installed along the front, and the Fork Pockets on the sides and back of the oven using the screws provided. The area under the oven must be enclosed in order to prevent pests from entering this space and to prevent air flow issues which can detrimentally effect burner operation.

FACADE READY OVENS: If the lower front of the oven is shipped facade ready, the toe kick will not be included. Instead, fork pocket covers and pre-cut blocks of cement board to cover the pocket covers will be included.

If the sides and/or rear of the oven is shipped facade ready, the Fork Pocket Covers will not be included. Pre-cut blocks of cement board or other facade material will be shipped instead of the Fork Pocket Covers. The blocks must be inserted into the fork pockets before the oven facade is put in place.



FORK POCKET COVER INSTALLATION

REAR FORK POCKETS	NON-GAS INLET SIDE FORK POCKETS
<p>Pocket covers arrive fastened in temporary UP position.</p> <p>Unfasten, lower over each fork pocket, and refasten.</p>	<p>Pocket covers arrive fastened in temporary UP position.</p> <p>Unfasten, lower over each fork pocket, and refasten.</p>
<p>Note: Additional Tek screws supplied in hardware kit.</p>	
GAS INLET SIDE FORK POCKETS	
<p>Two pocket covers will arrive fastened in temporary UP position above front-most fork pocket.</p>	<p>Unfasten, place one cover over each fork pocket, and refasten.</p>