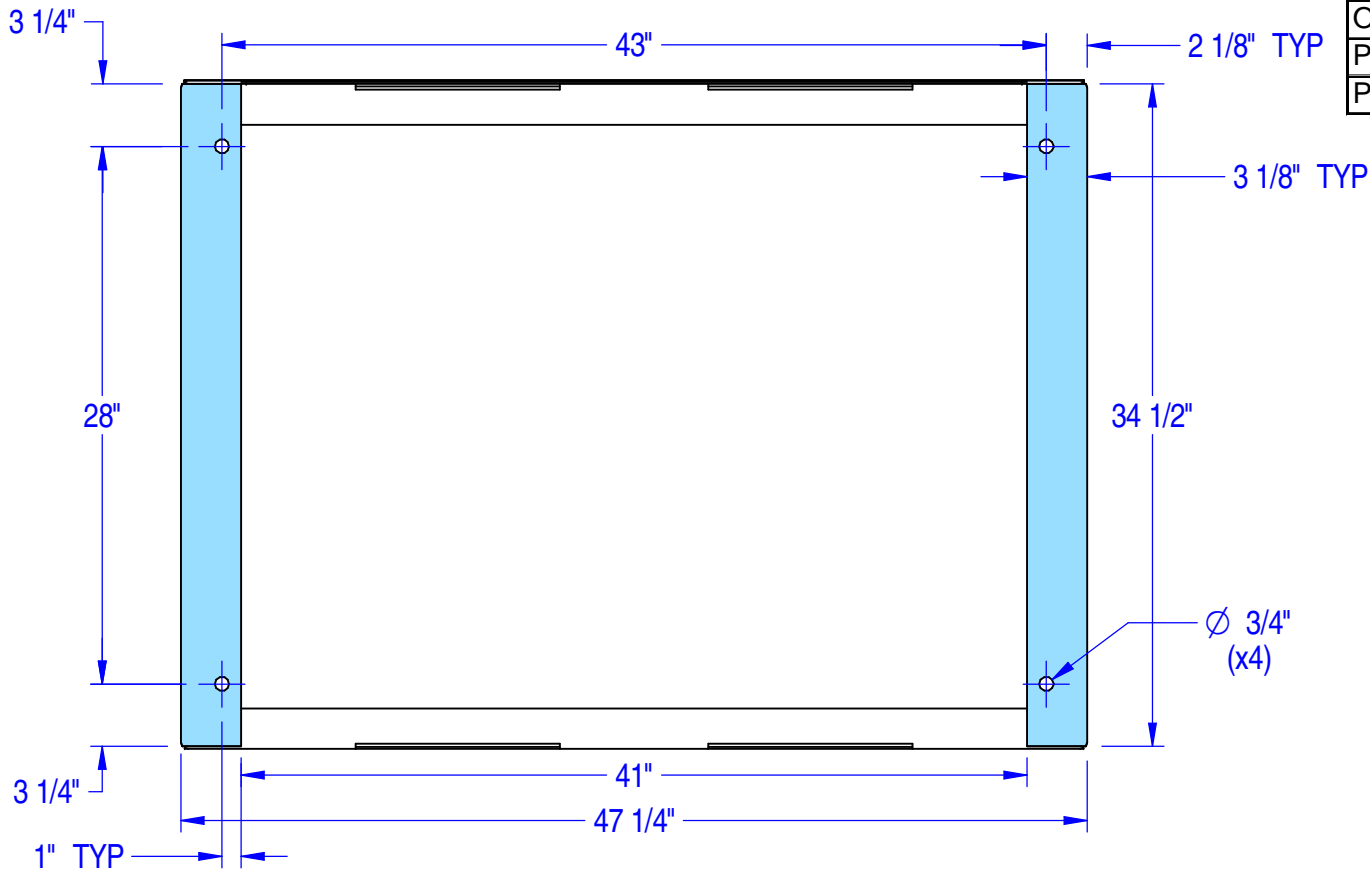


Contact Area of Oven Stand	216	in <sup>2</sup>
	1.5	ft <sup>2</sup>
Oven Weight	2,100	lb
PSF Floor Loading of Oven Stand	1,400	lb/ft <sup>2</sup>
PSI Floor Loading of Oven Stand	9.73	lb/in <sup>2</sup>



## Oven's Contact Area with Floor

An ongoing program of product improvement may require us to change specifications without notice.

DIMENSIONS ARE IN INCHES  
TOLERANCES: LINEAR  $\pm 1/4$   
UNLESS NOTED OTHERWISE

THE INFORMATION CONTAINED IN THIS DRAWING IS THE SOLE PROPERTY OF WOOD STONE CORPORATION  
ANY REPRODUCTION OR USE IN PART OR AS A WHOLE WITHOUT THE WRITTEN PERMISSION OF WOOD STONE IS PROHIBITED

SHEET: 1 of 1	REV: 1
DWN BY: mattg	
PART #: 001-504836-FP	
DATE: 10/4/2013	