

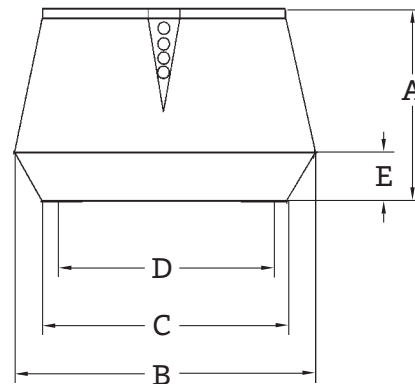
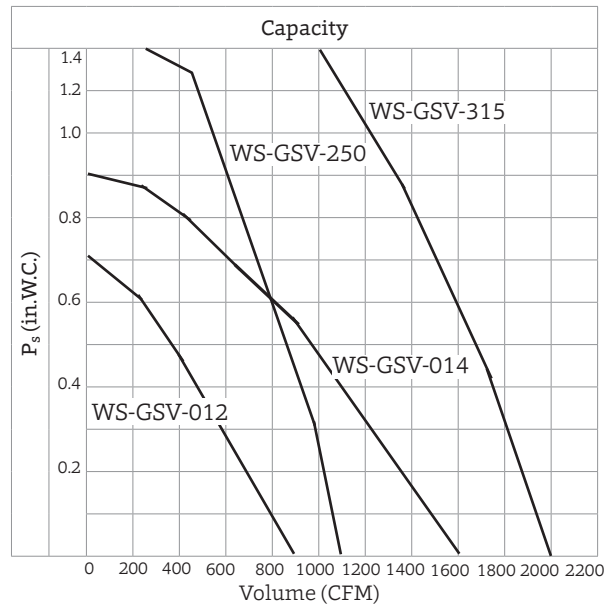


WS-GSV-315 model shown.

Wood Stone is proud to carry the world's finest line of oven exhaust fans for gas and solid fuel venting applications. Each is designed to withstand the high temperatures associated with stone hearth cooking and creosote production that results from solid fuel burning. Whether venting your Wood Stone oven through a hood or through a direct chimney connection, the WS-GSV is perfect for the job.

Exodraft exhaust fans are made in Denmark and distributed by Enerflex. The direct-drive WS-GSV fan is rated for continuous operation at 450 °F. It installs at the end of your duct run, and comes with a mounting adapter for easy installation on to most round ducts. The fan may also be installed on a conventional roof curb.

The fan comes with a rheostat-type speed control which allows the installer or operator to easily set the proper airflow appropriate for the situation.



	WS-GSV-012	WS-GSV-014	WS-GSV-250	WS-GSV-315
A	11.03"	13.20"	13.20"	16.94"
B	15.37"	19.11"	19.11"	25.61"
C	12.22"	15.17"	15.17"	20.69"
D	10.72"	13.04"	9.85"	15.76"
E	3.15"	3.94"	3.94"	5.12"
Lbs	46	60	60	92
Amps	1.4	2.9	2.9	5.8
Volts	120	120	120	120



t. 360.650.1111
 tf. 800.988.8103
 f. 360.650.1166

Wood Stone Corporation
 1801 W. Bakerview Rd.
 Bellingham, WA 98226 USA
info@woodstone-corp.com
woodstone-corp.com

REVISED: SPRING 2017

An ongoing program of product improvement may require us to change specifications without notice.

